



US0D1096454S

(12) **United States Design Patent** (10) **Patent No.:** **US D1,096,454 S**  
**Dabush** (45) **Date of Patent:** **\*\* Oct. 7, 2025**

(54) **LEG PUCK**  
(71) Applicant: **V-Armed Inc.**, New York, NY (US)  
(72) Inventor: **Elad Dabush**, Herzliya (IL)  
(73) Assignee: **V-Armed Inc.**, NY (US)  
(\*\*) Term: **15 Years**

D1,037,373 S \* 7/2024 Liao ..... D21/567  
D1,049,102 S \* 10/2024 Pulido ..... D14/344  
D1,053,480 S \* 12/2024 Xiong ..... D10/104.1  
D1,057,168 S \* 1/2025 Juhn ..... D24/186  
D1,057,699 S \* 1/2025 Dhawan ..... D14/240  
D1,064,880 S \* 3/2025 Fujii ..... D10/104.1  
2020/0022433 A1 \* 1/2020 Lu ..... G06K 7/10603

(Continued)

(21) Appl. No.: **29/924,775**  
(22) Filed: **Jan. 20, 2024**

FOREIGN PATENT DOCUMENTS  
EM 015066664-0002 \* 7/2024  
EM 015066664-0003 \* 7/2024

(51) **LOC (15) Cl.** ..... **10-07**  
(52) **U.S. Cl.**  
USPC ..... **D10/46; D21/333**  
(58) **Field of Classification Search**  
USPC ..... D10/46, 96, 98, 104.1, 104.2; D14/344,  
D14/358, 372, 388, 418, 432, 454, 480.2,  
D14/447, 451, 224, 238; D21/328, 333,  
D21/420, 573-575; D22/108; D3/215,  
D3/221, 222, 218; D16/311-313;  
D8/349, 354, 373, 380, 382  
CPC . F41A 33/02; G06F 3/01; G06F 3/011; G06F  
3/012; G06F 3/013; G06F 3/014; G06F  
3/016; G09B 9/00; G09B 9/003  
See application file for complete search history.

OTHER PUBLICATIONS  
Virtual Reality Training for Police Officers, Apr. 29, 2022, YouTube,  
site visited May 22, 2025: [https://www.youtube.com/watch?v=vPPmM\\_EYChc](https://www.youtube.com/watch?v=vPPmM_EYChc) (Year: 2022).\*

(Continued)

*Primary Examiner* — Leanne Was-Englehart  
*Assistant Examiner* — Alison Davis  
(74) *Attorney, Agent, or Firm* — Gearhart Law LLC

(56) **References Cited**

(57) **CLAIM**

The ornamental design for a leg puck as shown and described.

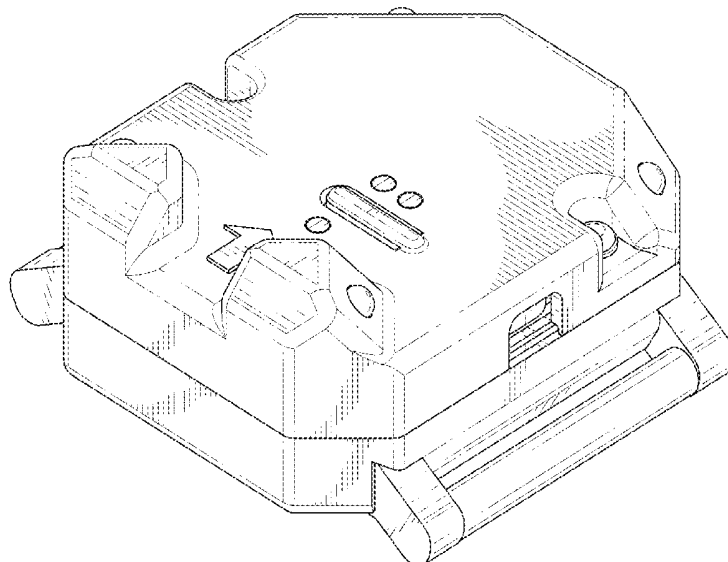
U.S. PATENT DOCUMENTS

**DESCRIPTION**

D633,401 S \* 3/2011 Cavanaugh ..... D10/96  
D686,688 S \* 7/2013 Vinano ..... D3/221  
D781,572 S \* 3/2017 Duval ..... D3/215  
D818,381 S \* 5/2018 Kawakami ..... D10/98  
D838,203 S \* 1/2019 Corley ..... D10/70  
D906,845 S \* 1/2021 Larsen ..... D10/106.1  
D933,748 S \* 10/2021 Liang ..... D10/49  
D965,447 S \* 10/2022 Dabush ..... D10/46  
D1,004,223 S \* 11/2023 Xie ..... D10/104.1  
D1,007,510 S \* 12/2023 Vesperman ..... D14/432  
D1,010,250 S \* 1/2024 Mo ..... D10/104.1  
D1,034,262 S \* 7/2024 Yalamanchili ..... G08B 25/005  
D10/104.2

FIG. 1 is a perspective view of a leg puck.  
FIG. 2 is a front view of FIG. 1.  
FIG. 3 is a rear view of FIG. 1.  
FIG. 4 is a left view of FIG. 1.  
FIG. 5 is a right view of FIG. 1.  
FIG. 6 is a top view of FIG. 1; and,  
FIG. 7 is a bottom view of FIG. 1.  
The broken lines depict portions of the article that form no part of the claimed design.

**1 Claim, 5 Drawing Sheets**



(56) **References Cited**

U.S. PATENT DOCUMENTS

2023/0214007 A1\* 7/2023 Dabush ..... G06Q 10/0639  
345/156  
2024/0161650 A1\* 5/2024 Shiffan ..... A63F 13/245  
2024/0337459 A1\* 10/2024 Dabush ..... G06F 3/013

OTHER PUBLICATIONS

HaritoraX Wireless, Nov. 10, 2023, Shiftall, site visited May 23, 2025: <https://en.shiftall.net/products/haritorax-w> (Year: 2023).\*

V-Armed Complete System, Mar. 18, 2024, YouTube, site visited May 22, 2025: <https://www.youtube.com/watch?v=tR6BEJRyhXw> (Year: 2024).\*

Virtual reality training for law enforcement, Oct. 7, 2024, WGN9, site visited May 22, 2025: <https://wgntv.com/news/wgn-investigates/police-train-for-real-world-scenarios-in-virtual-world/> (Year: 2024).\*

\* cited by examiner

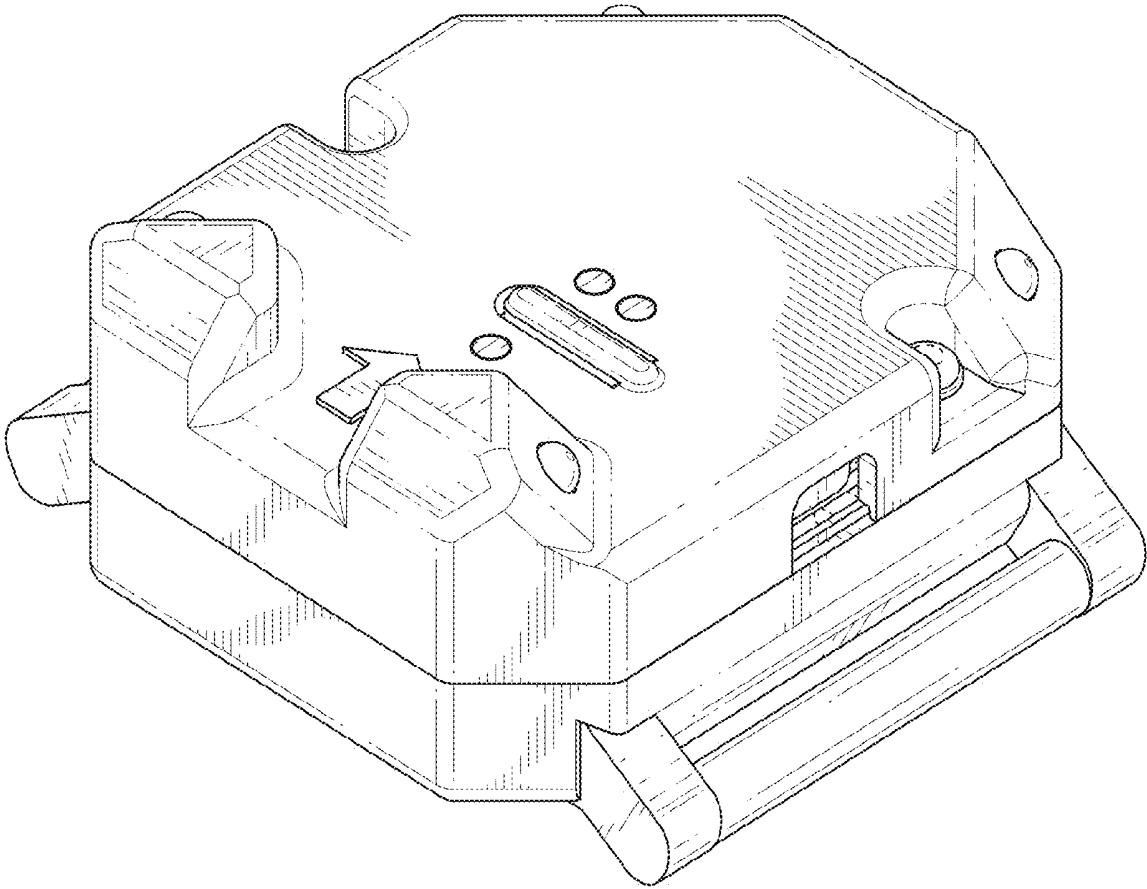


FIG. 1

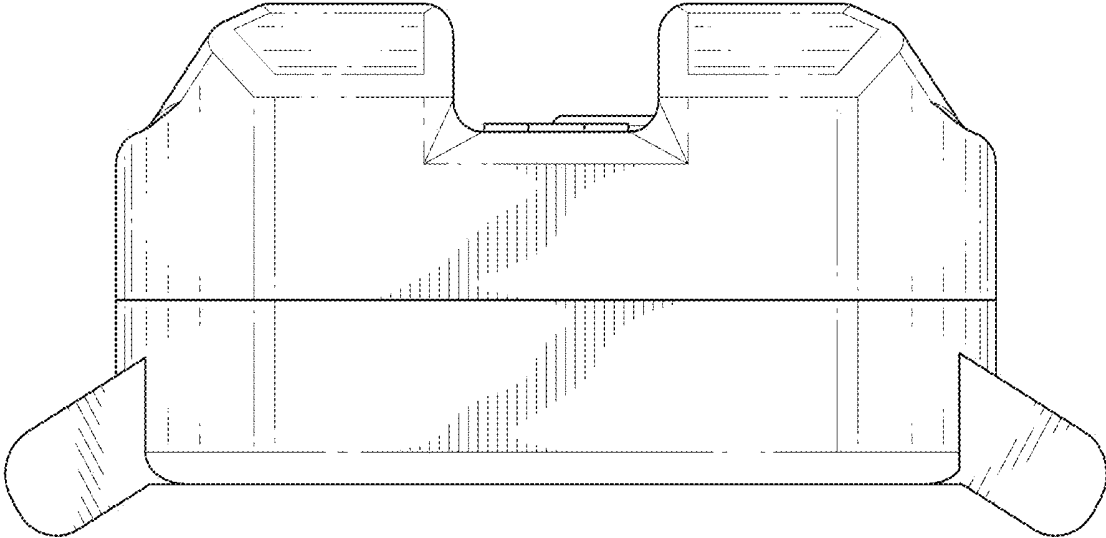


FIG. 2

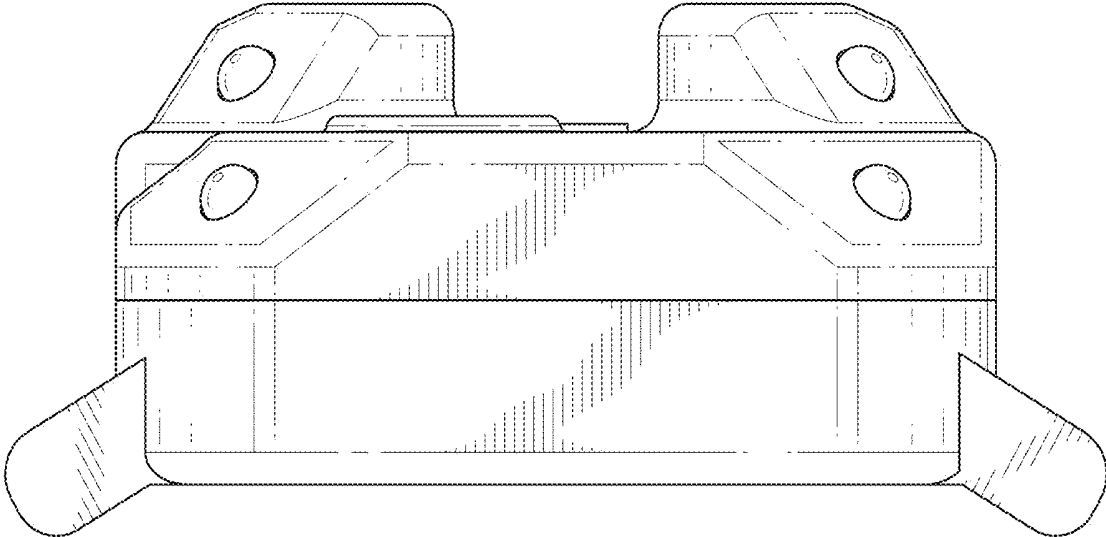


FIG. 3

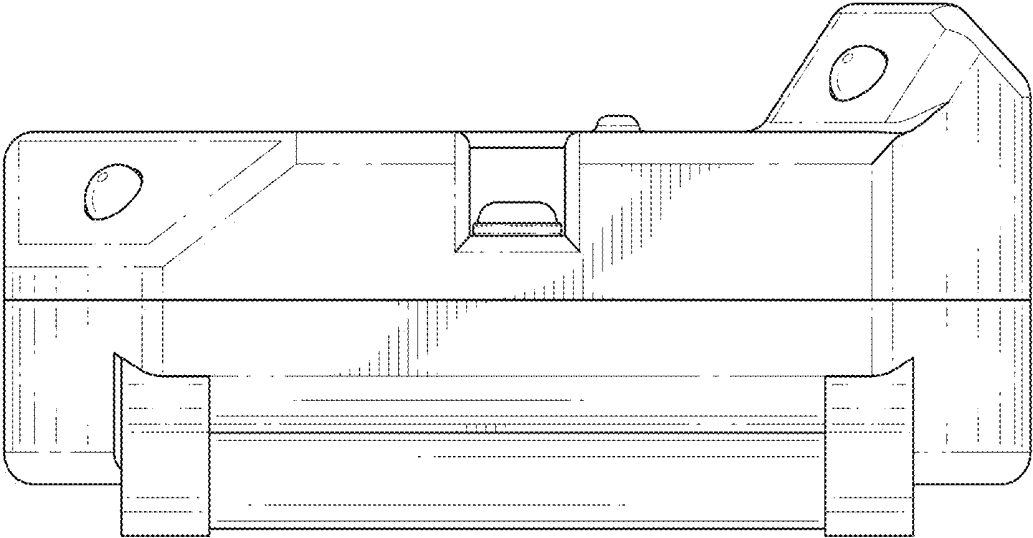


FIG. 4

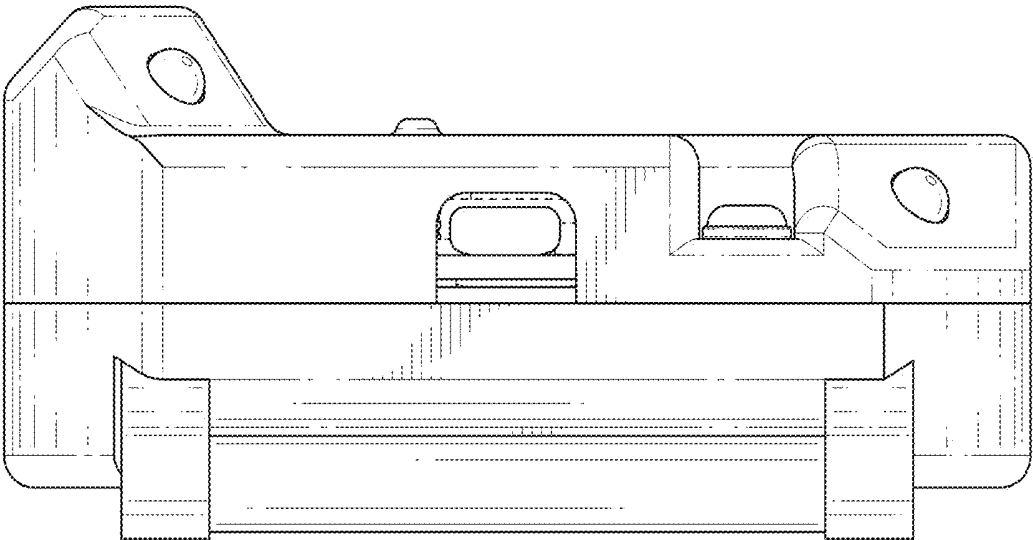


FIG. 5

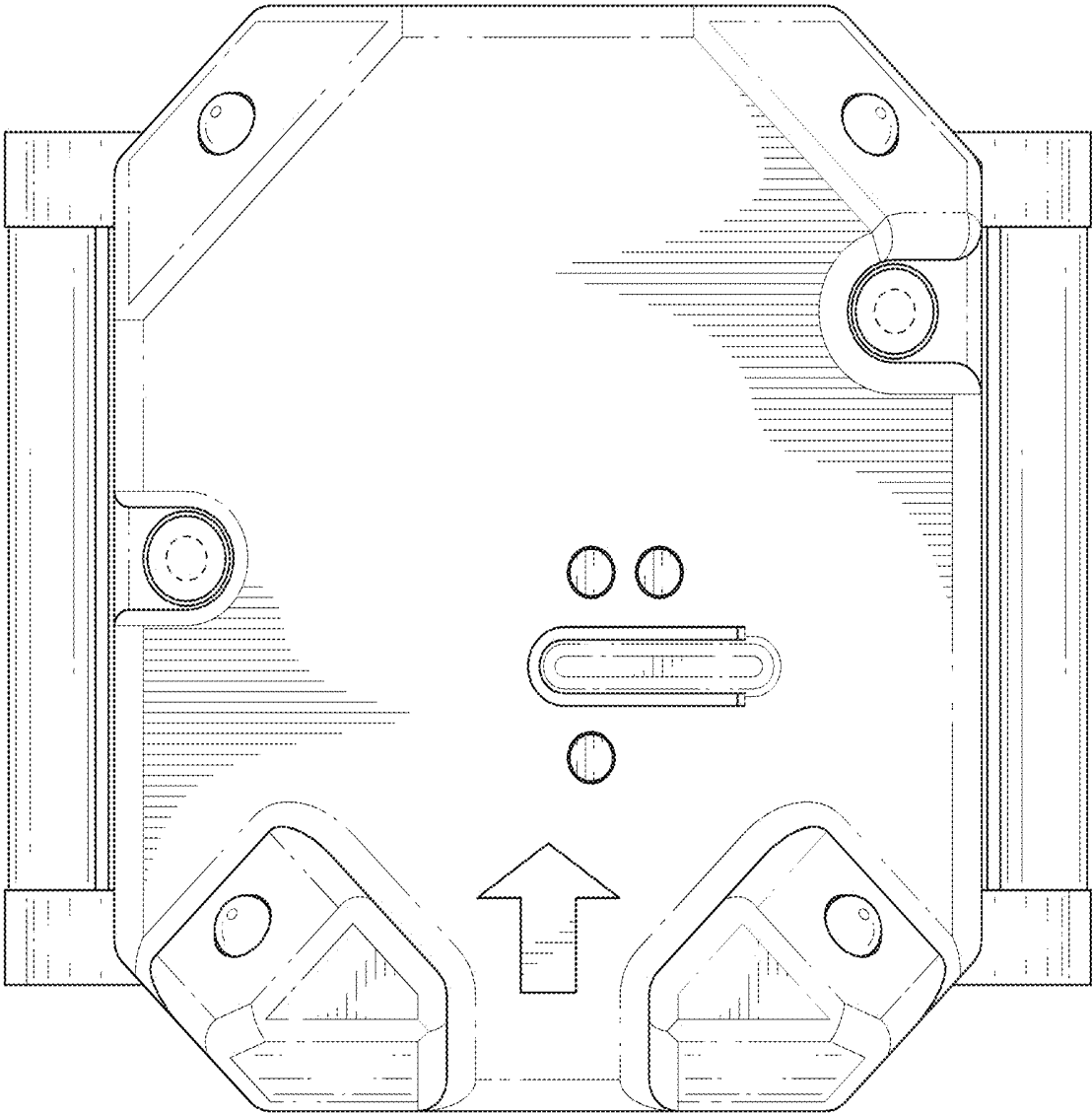


FIG. 6

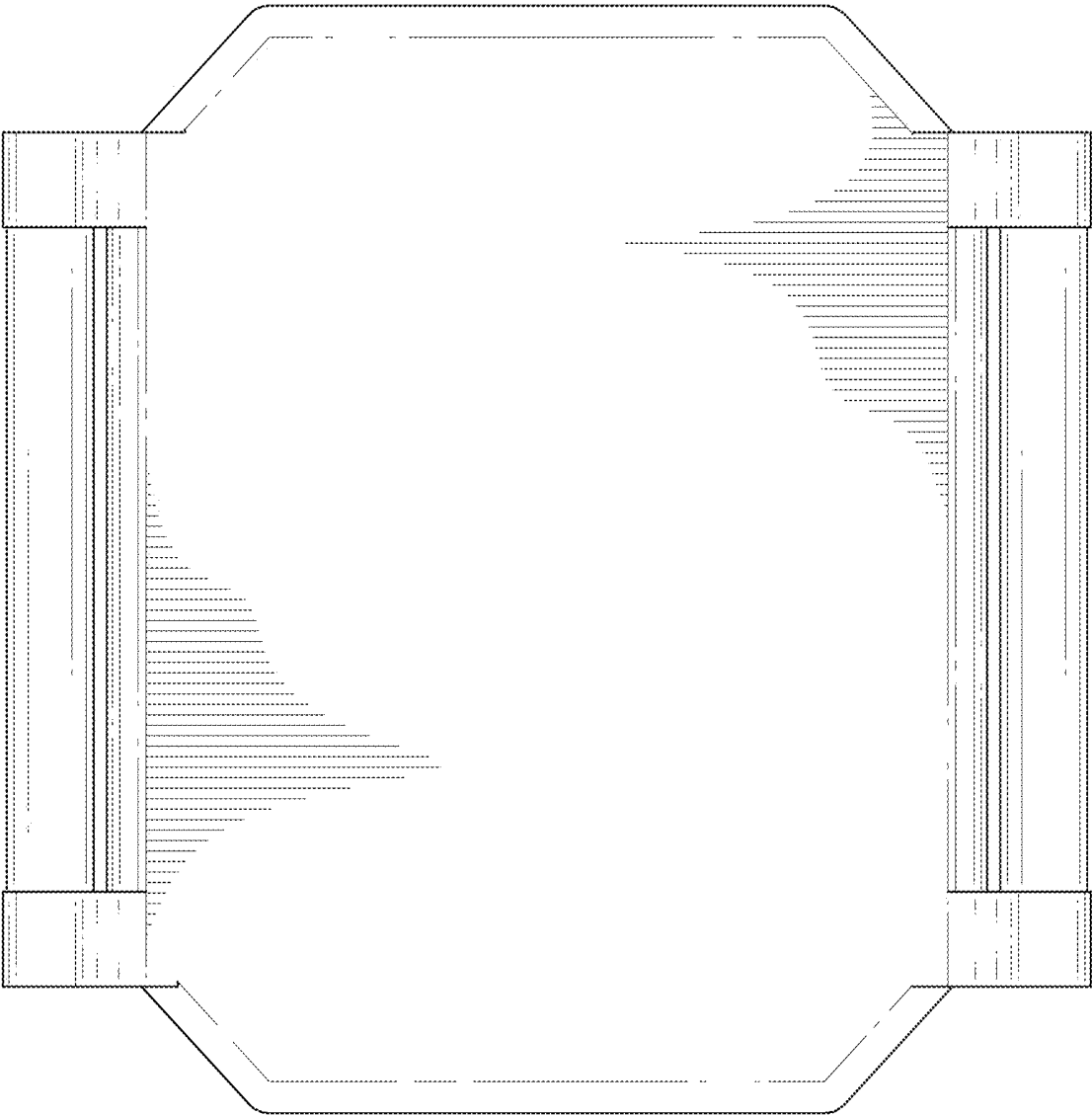


FIG. 7