



US0D1097042S

(12) **United States Design Patent** (10) **Patent No.: US D1,097,042 S**  
**Dabush** (45) **Date of Patent: \*\* Oct. 7, 2025**

(54) **MAGAZINE FOR TRAINING WEAPON**

D912,191 S \* 3/2021 Thomele ..... D22/108  
D1,016,955 S \* 3/2024 Burris ..... F41A 9/71

(71) Applicant: **V-Armed Inc.**, New York, NY (US)

D22/108

(72) Inventor: **Elad Dabush**, Herzliya (IL)

D1,027,039 S \* 5/2024 Wei ..... D21/333

(73) Assignee: **V-Armed Inc.**

D1,066,551 S \* 3/2025 Geissele ..... D22/108

(\*\*) Term: **15 Years**

2013/0227870 A1\* 9/2013 Rendulic ..... F41A 9/65

(21) Appl. No.: **29/924,773**

2019/0201784 A1\* 7/2019 Holz ..... G06F 3/0338

(22) Filed: **Jan. 20, 2024**

2020/0341542 A1\* 10/2020 Kur ..... G06F 3/012

(51) **LOC (15) Cl.** ..... **22-01**

2021/0018292 A1\* 1/2021 Formwalt ..... F41A 9/61

(52) **U.S. Cl.**

2022/0397366 A1\* 12/2022 Jarrard ..... G06F 30/20

USPC ..... **D22/108**; D14/388; D14/418; D21/333

2024/0337459 A1\* 10/2024 Dabush ..... G06F 3/013

(58) **Field of Classification Search**

USPC ..... D10/46, 96, 98, 104.1, 104.2; D14/344,  
D14/358, 372, 388, 418, 432, 454, 480.2,  
D14/447, 451, 224, 238; D21/328, 333,  
D21/420, 573-575; D22/108; D3/215,  
D3/221, 222, 218; D16/311-313;  
D8/349, 354, 373, 380, 382

CPC . F41A 33/02; G06F 3/01; G06F 3/011; G06F  
3/012; G06F 3/013; G06F 3/014; G06F  
3/016; G09B 9/00; G09B 9/003

See application file for complete search history.

(56) **References Cited**

**U.S. PATENT DOCUMENTS**

D602,097 S *	10/2009	Oikawa	.....	D21/333
D607,515 S *	1/2010	Oikawa	.....	D21/333
D748,219 S *	1/2016	Kielsmeier	.....	D22/108
D810,223 S *	2/2018	Kielsmeier	.....	D22/108
D853,520 S *	7/2019	Cheng	.....	D22/108
D859,571 S *	9/2019	Spine	.....	D22/108
D869,595 S *	12/2019	Cheng	.....	D22/108
D887,410 S *	6/2020	Lo	.....	D21/333
D898,027 S *	10/2020	Lo	.....	D21/333

**OTHER PUBLICATIONS**

DryFireMag, Sep. 18, 2017, YouTube, site visited May 23, 2025:  
<https://www.youtube.com/watch?v=1ZNPnXNRY0> (Year: 2017).\*

(Continued)

*Primary Examiner* — Leanne Was-Englehart

*Assistant Examiner* — Alison Davis

(74) *Attorney, Agent, or Firm* — Gearhart Law LLC

(57) **CLAIM**

The ornamental design for a magazine for training weapon as shown and described.

**DESCRIPTION**

FIG. 1 is a perspective view of a magazine for training weapon.

FIG. 2 is a front view of FIG. 1.

FIG. 3 is a rear view of FIG. 1.

FIG. 4 is a left view of FIG. 1.

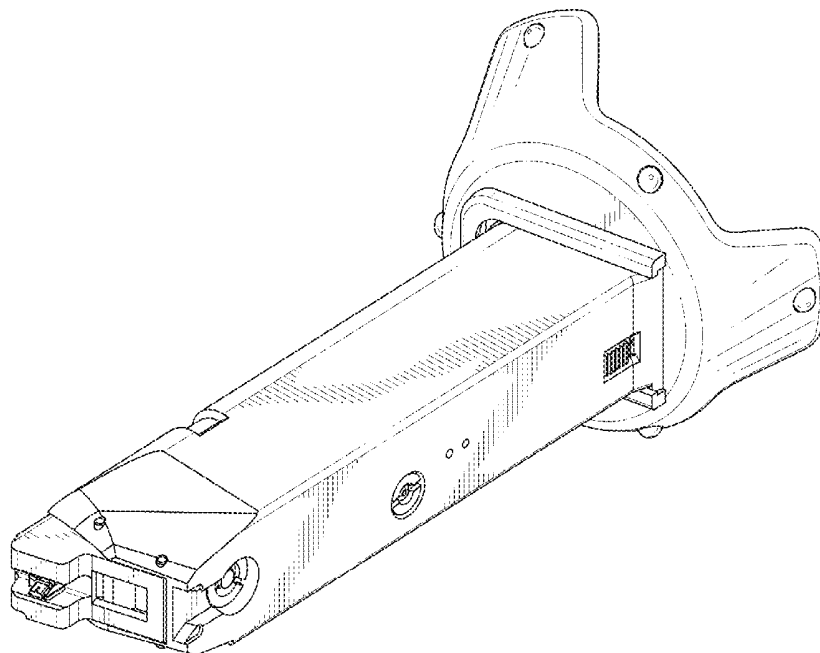
FIG. 5 is a right view of FIG. 1.

FIG. 6 is a top view of FIG. 1; and,

FIG. 7 is a bottom view of FIG. 1.

The broken lines depict portions of the article that form no part of the claimed design.

**1 Claim, 7 Drawing Sheets**



(56)

**References Cited**

OTHER PUBLICATIONS

HTC Vive Tracker 3.0, Mar. 12, 2021, Amazon, site visited May 22, 2025: <https://www.amazon.com/HTC-Vive-Tracker-3-0-PC/dp/B08WFS5BMY> (Year: 2021).\*

Defenders train with virtual reality system Wright-Patterson AFB, Nov. 5, 2021, Wright-Patterson AFB, site visited May 22, 2025: <https://www.wpafb.af.mil/News/Article-Display/Article/2834776/defenders-train-with-virtual-reality-system/> (Year: 2021).\*

Police training takes virtual turn, Oct. 28, 2022, Whidbey News-Times, site visited May 22, 2025: <https://www.whidbeynewstimes.com/life/police-training-takes-virtual-turn/> (Year: 2022).\*

\* cited by examiner

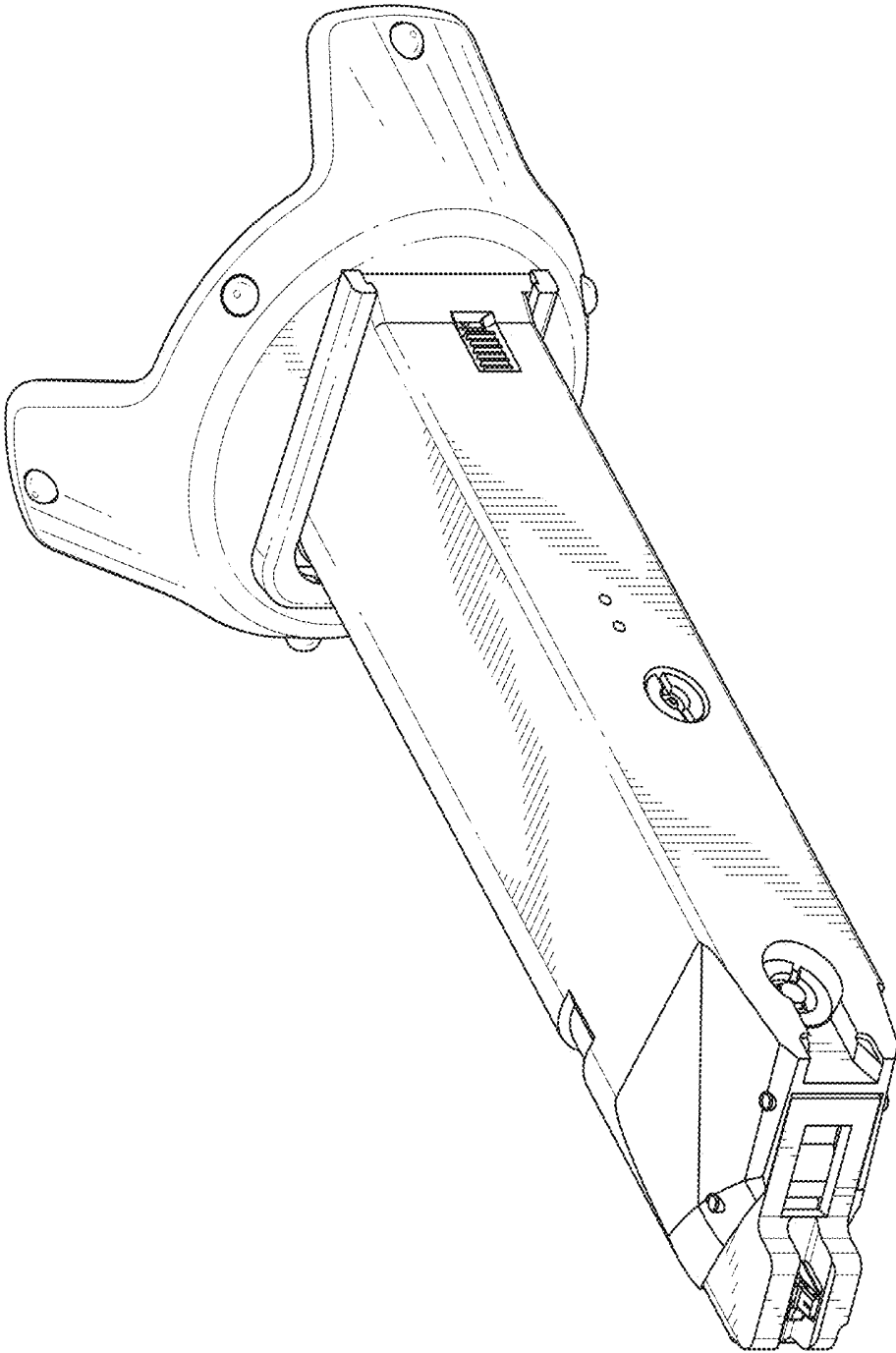


FIG. 1

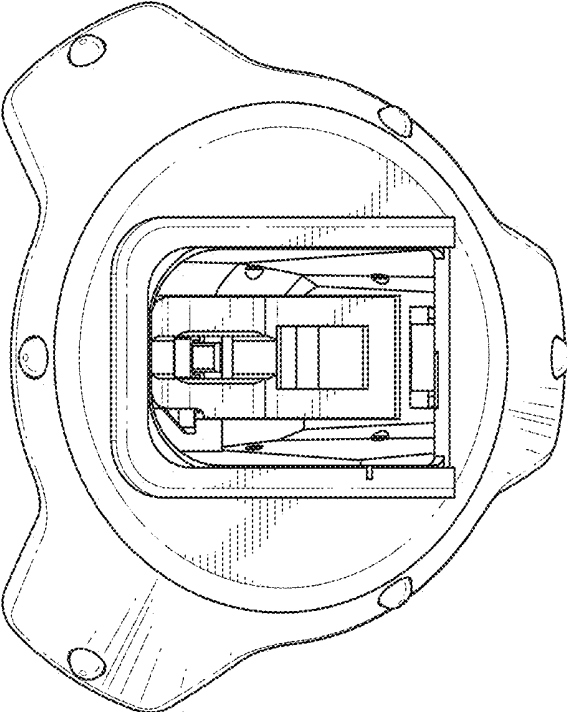


FIG. 2

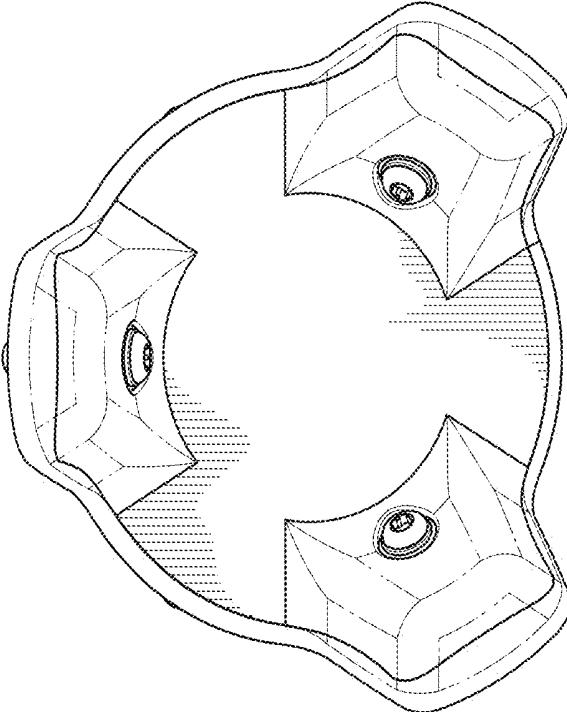


FIG.3

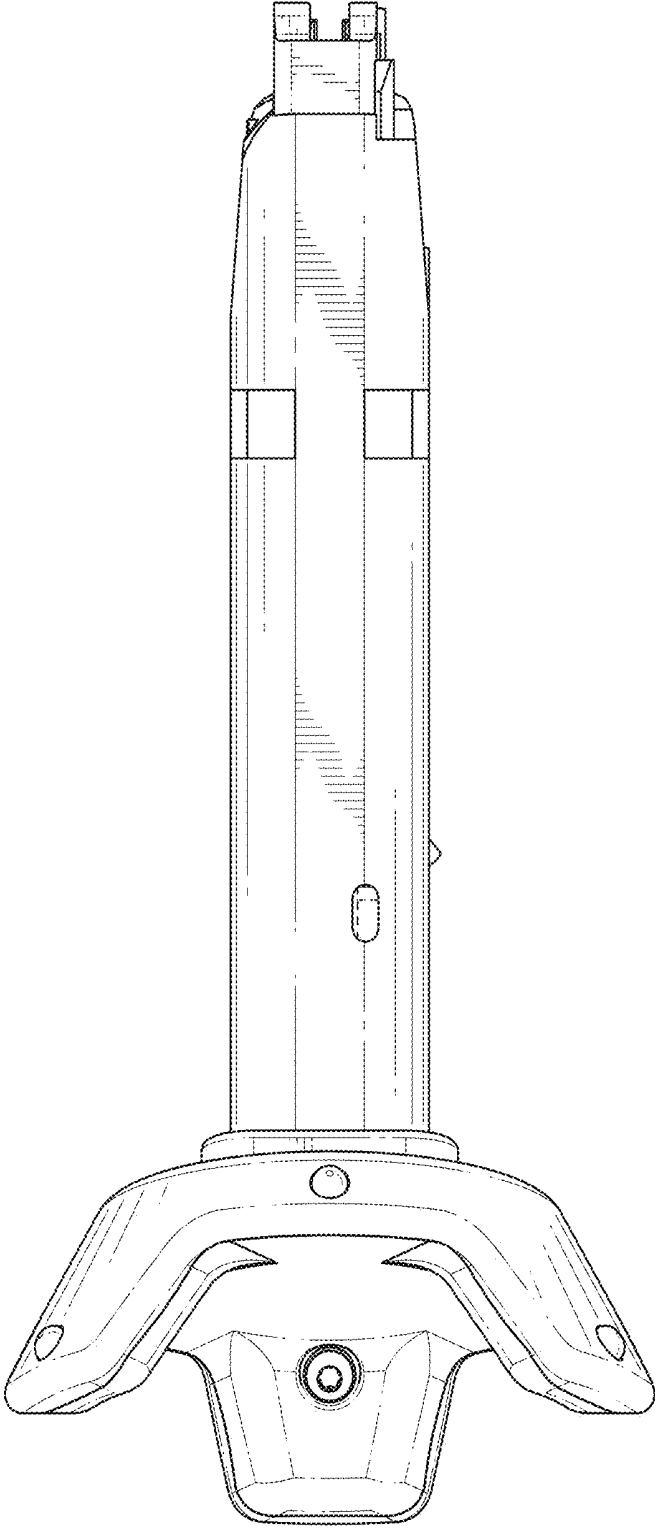


FIG.4

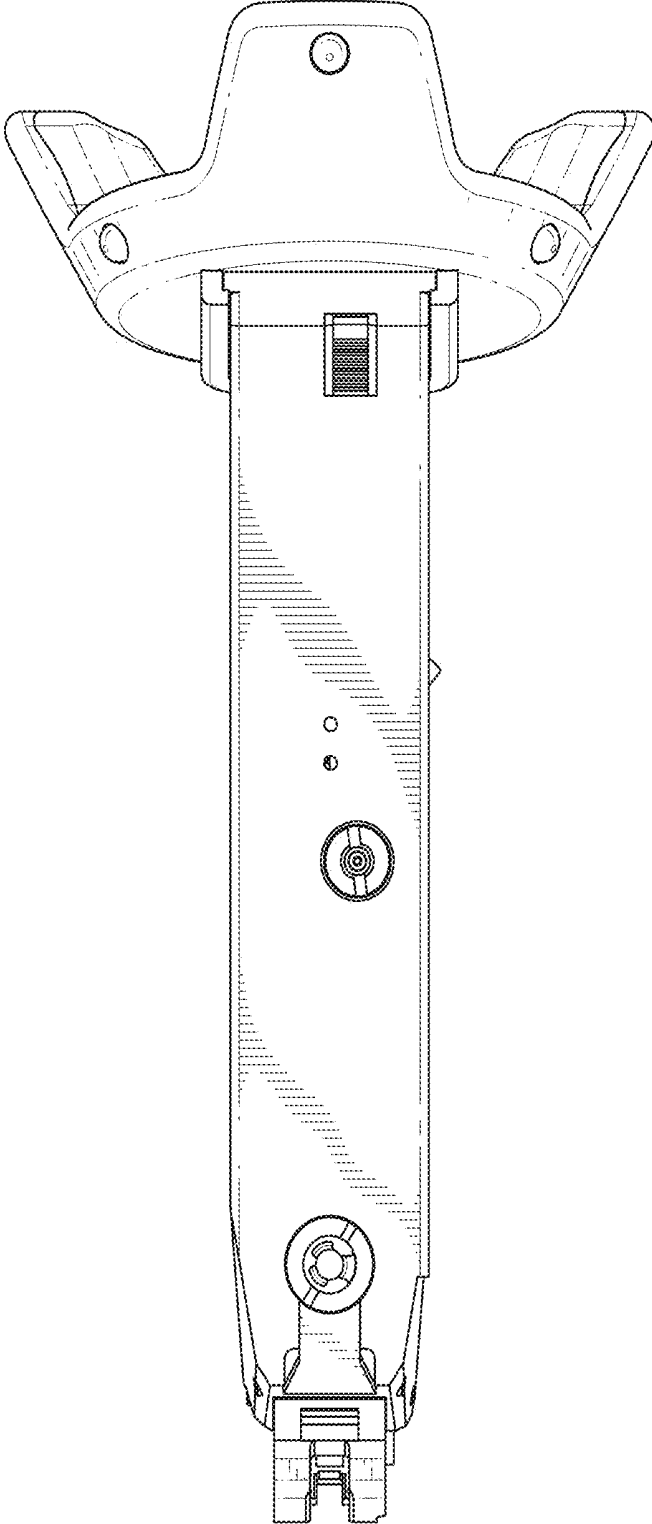


FIG. 5

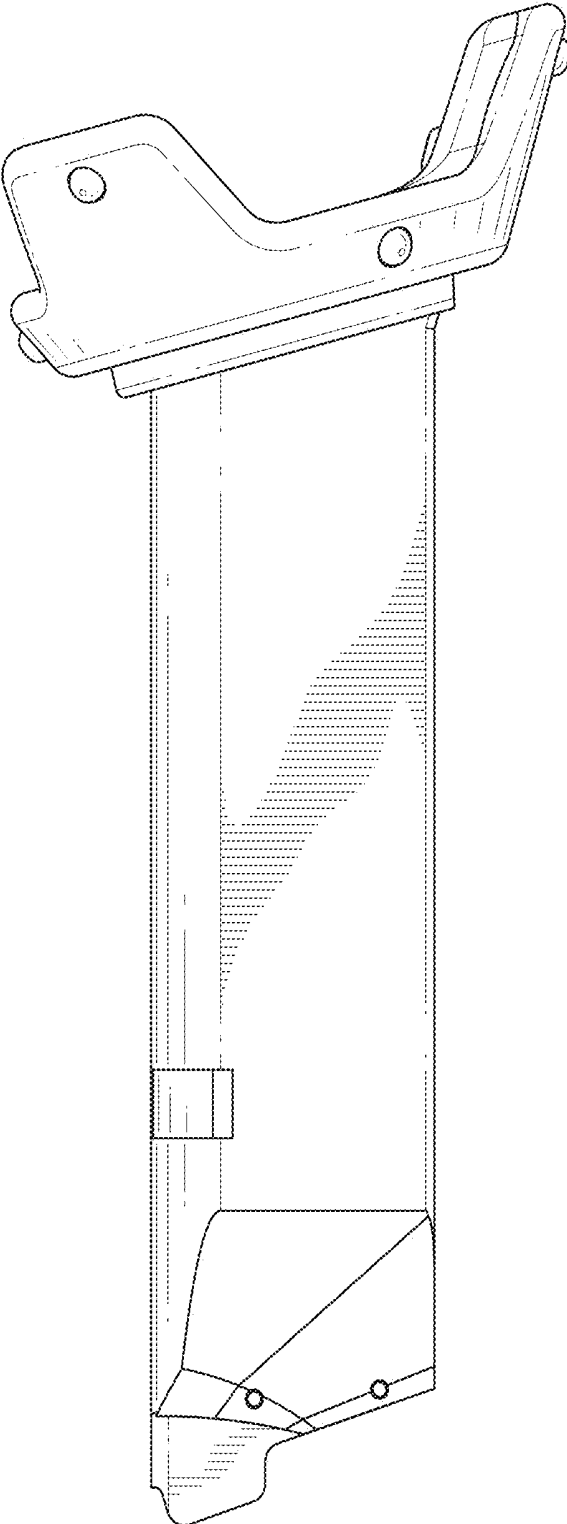


FIG.6

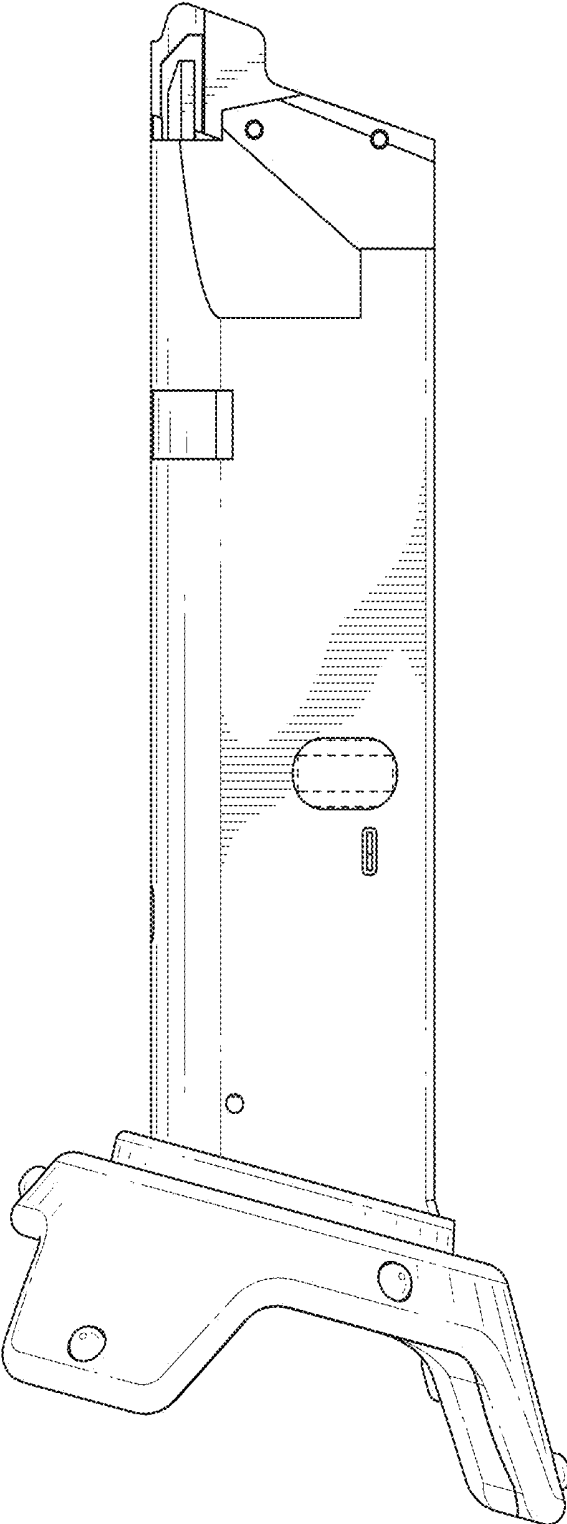


FIG. 7